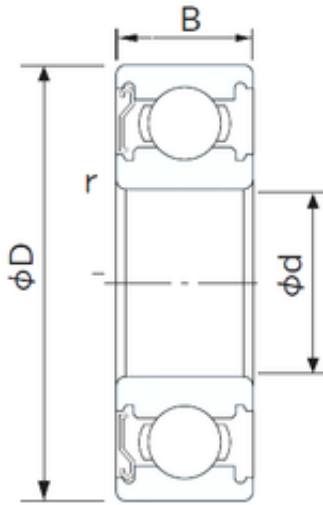




??? ?????????



6030Z NACHI Deep Groove Ball Bearings

Bearing No. 6030Z

Size	150x225x35 mm
Bore Diameter	150 mm
Outer Diameter	225 mm
Width	35 mm
d	150 mm
D	225 mm
B	35 mm
C	35 mm
r min.	2.1 mm
da min.	159 mm
Da max.	216 mm
ra max.	2.0 mm
Weight	4.48 Kg
Basic dynamic load rating (C)	126 kN
Basic static load rating (C0)	126 kN
(Grease) Lubrication Speed	2600 r/min

6030Z Bearing 2D drawings and 3D CAD models